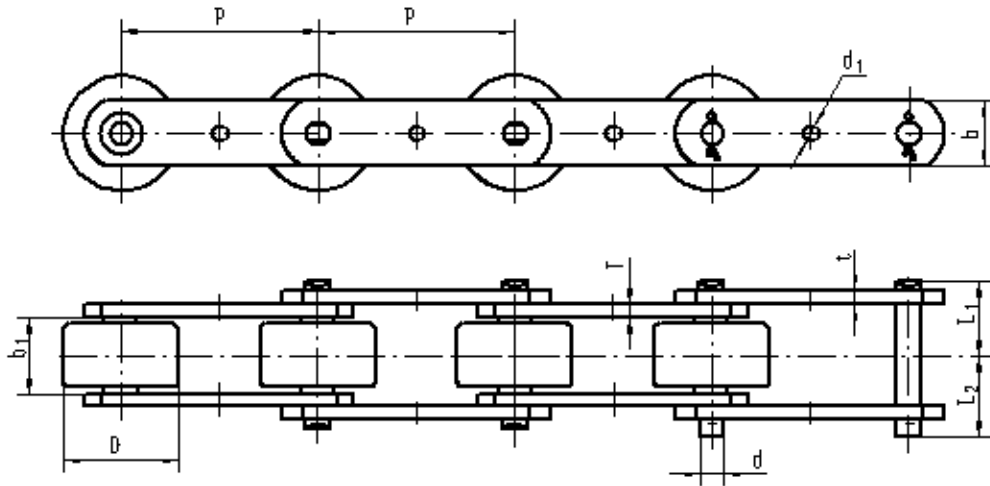
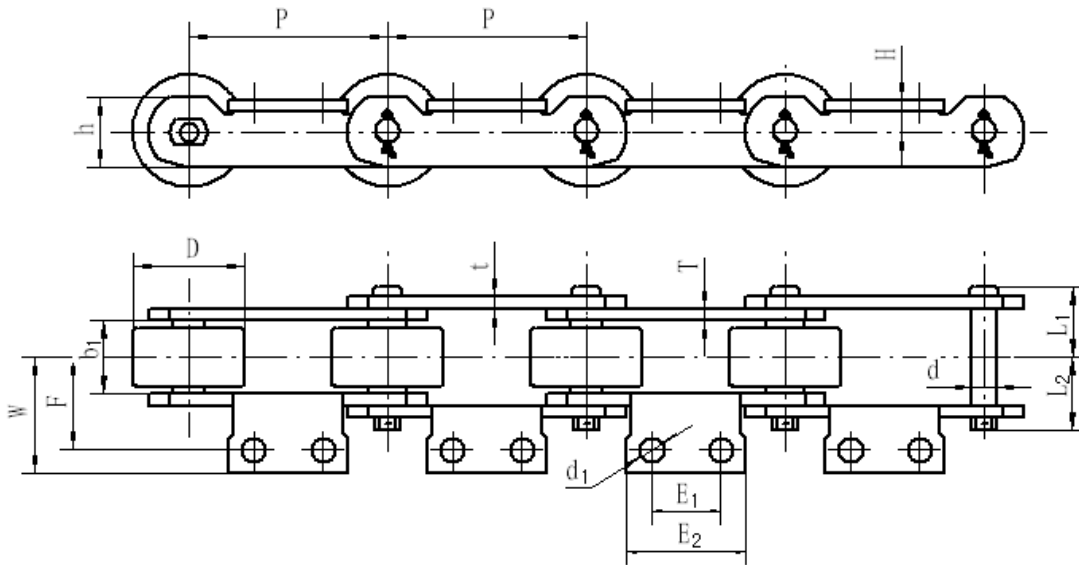


Roller Chain For Beer Bottling Conveyor



Chain No.	P mm	b_1 (min) mm	D(max) mm							Q(min) kN	q kg/m
				d mm	L_1 mm	L_2 mm	h mm	t/T mm	d_1 mm		
CK-120X	120	33	70	14.27	36.3	40.3	40	8	10.3	192	13.53

Q_{min} KN = Ultimate tensile strength

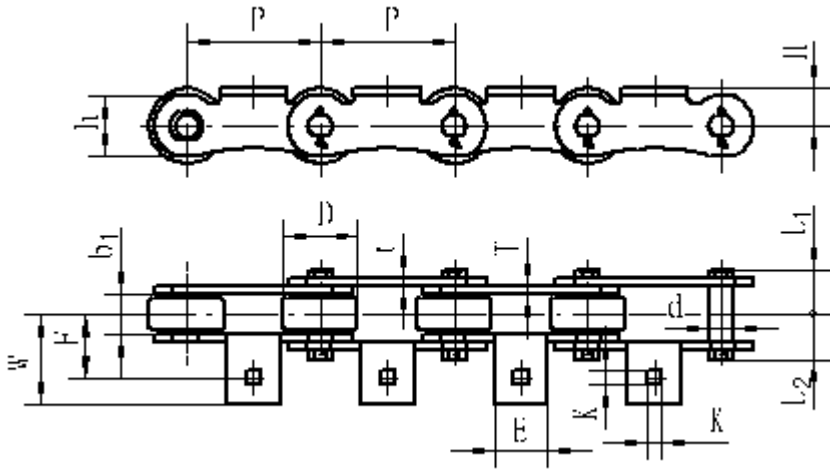


Chain No.	P mm	b 1(min) mm	D(max) mm						Q(min) kN	q kg/m
				d mm	L1 mm	L2 mm	h mm	t/T mm		
CK-133X	133	30	75	16	31.3	35.7	47	6	180	13.92
CK-133XB	133	30	75	16	32.8	34.3	47	6	180	13.86
CK-133XE	133	30	100	16	32.8	34.3	47	6	180	19.32
CK-133XG	133	30	75	16	36.8	41.2	47	8	240	16.15

HENGJIU

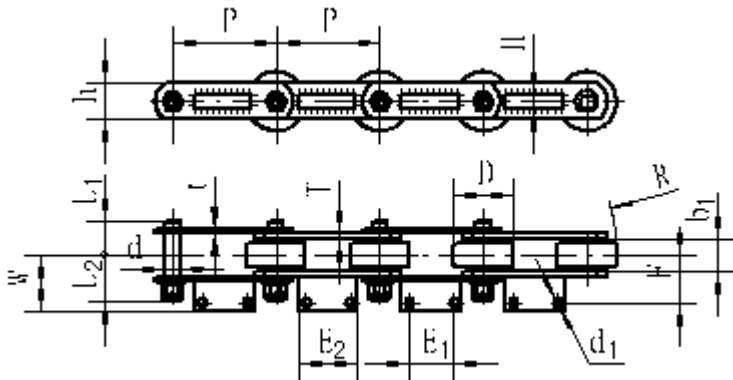
Q_{\min} KN = Ultimate tensile strength

Beer Canned Line Roller Conveyor Chains·Bottle Washer Chains



E mm	F mm	W mm	K mm	H mm
70	42	57.2	12.5	22

Chain No.	P mm	b 1(min) mm	D(max) mm						Q(min) kN	q kg/m
				d mm	L1 mm	L2 mm	h mm	t/T mm		
CK-140XA	140	18.5	58	18	25.9	30.5	44	6	150	8.2

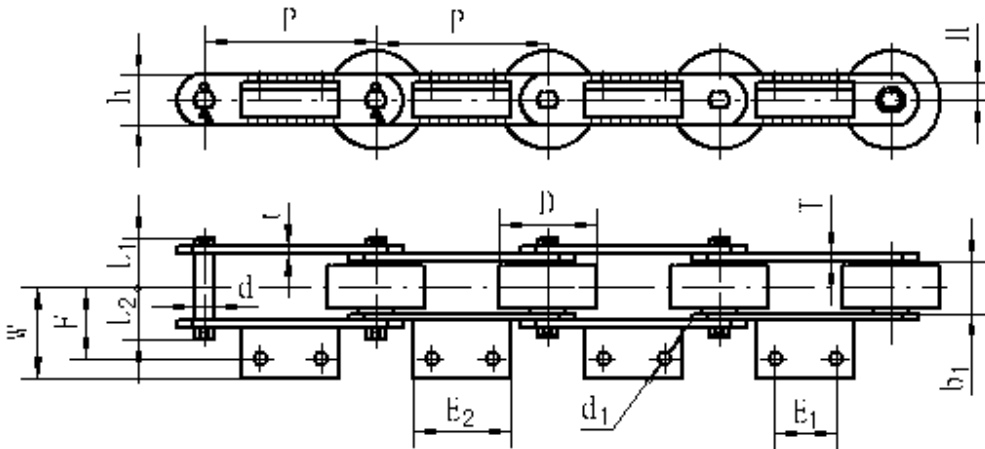


Chain No.	F mm	E1 mm	E2 mm	W mm	d1 mm	H mm	R mm
CK-140XB	65	60	80	76.7	12.5	20	250
CK-140XB-N1	68	60	80	76.7	12.5	20	250

Chain No.	P mm	b 1(min) mm	D(max) mm						Q(min) kN	q kg/m
				d mm	L1 mm	L2 mm	h mm	t/T mm		
CK-140XB	140	41.7	80	22	40	50	50	7/8	176	22.6
CK-140XB-N1	140	41.7	80	22	40.6	68.1	50	7/8	176	23.1

Q_{\min} KN = Ultimate tensile strength

Beer Canned Line Roller Conveyor Chains·Bottle Washer Chains

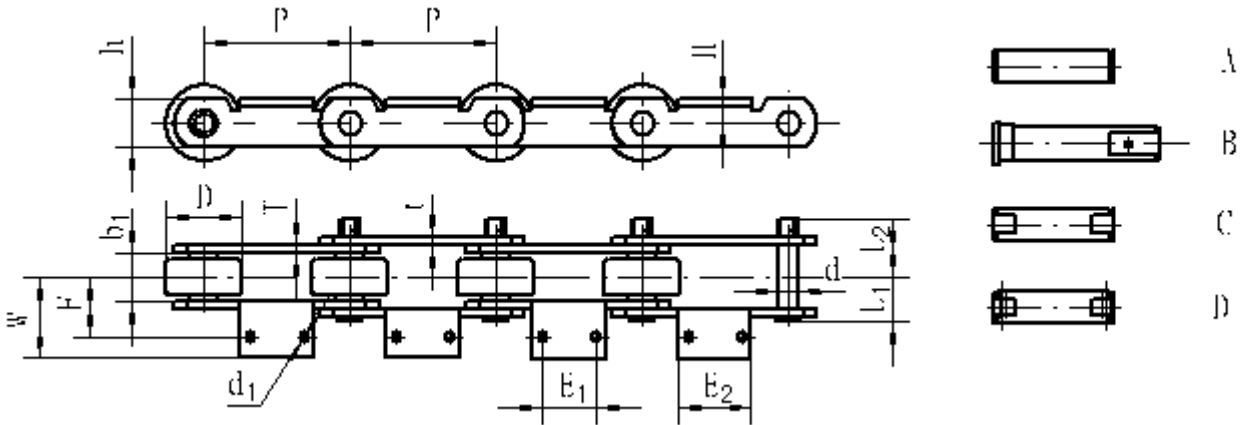


Chain No.	F mm	E ₁ mm	E ₂ mm	W mm	H mm	d ₁ mm
CK-140XC	49	50	80	65	14	10.5
CK-165XD	62.7	56.4	85.5	82.7	25	12
CK-165XDSS	62.7	56.4	85.5	81.7	25	12

Chain No.	P mm	b ₁ (min) mm	D(max) mm						Q(min) kN	q kg/m
				d mm	L ₁ mm	L ₂ mm	h mm	t/T mm		
CK-140XC	140	23	80	16	26.5	31.4	40	6	170	12.6
CK-165XD	165	25.3	82.5	20	31.6	35.8	50	7	185	15.2
CK-165XDSS	165	25.3	82.5	20	29.4	34	50	6	185	13.8

Q_{min} KN = Ultimate tensile strength

Beer Canned Line Roller Conveyor Chains·Bottle Washer Chains

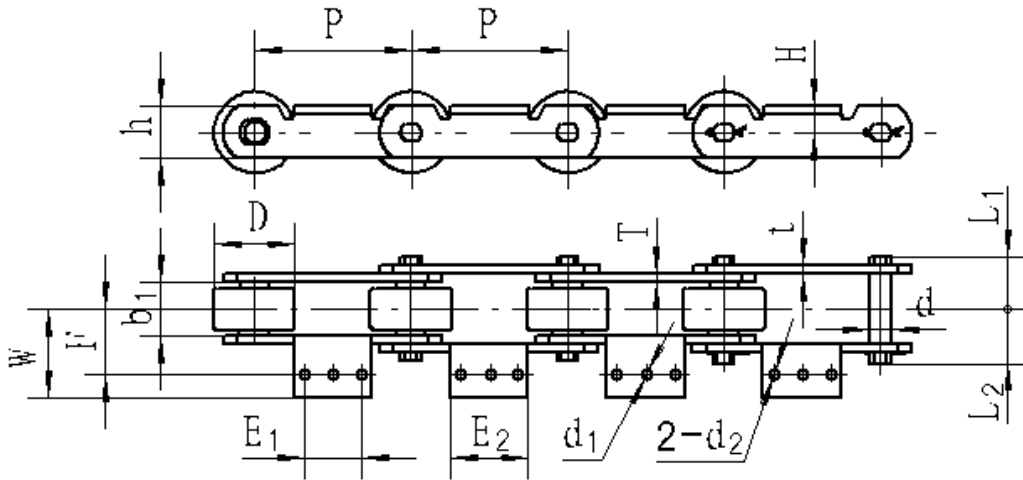


Chain No.	F mm	E1 mm	E2 mm	W mm	H mm	d1 mm	Type
CK-139.7-SK2	34.8	50.8	76.2	49.7	20.5	12.2	A
CK-150XA	55	55	75	77.2	25	M12	B
CK-155XA	55	65	84	69	30.5	M12	C
CK-160X	61.5	70	104	74.1	36	13	A
CK-160XA	50	60	90	68	30	M12	C
CK-160XC	58.5	70	104	71.2	35	13	A
CK-160XD	56	80	104	70	30	M10	C
CK-160XE	57.5	80	104	70	30.5	M10	C
CK-169XA	55	50	115	72	30	13	D

Chain No.	P mm	b 1(min) mm	D(max) mm						Q(min) kN	q kg/m
				d mm	L1 mm	L2 mm	h mm	t/T mm		
CK-139.7-SK2	139.7	21.6	63	14.5	27.6	34.1	32	4.8/8	130	8.4
CK-150XA	150	37	78	20	39.3	55.3	50	8	210	18.7
CK-155XA	155	38	97	25	42.5	47.5	60	8	346	25.1
CK-160X	160	36	75	18	39	44	45	8	116	16.1
CK-160XA	160	33.7	80	20	38	43	50	8	210	17.4
CK-160XC	160	36	75	18	39	44	45	8	116	16
CK-160XD	160	42.8	89	20	42.15	57.25	60	8	280	22.5
CK-160XE	160	42.8	89	20	42.15	46.15	61	8	280	22.6
CK-169XA	169	30	90	25	41.5	41.5	60	8	224	19.1

Q_{min} KN = Ultimate tensile strength

Beer Canned Line Roller Conveyor Chains·Bottle Washer Chains

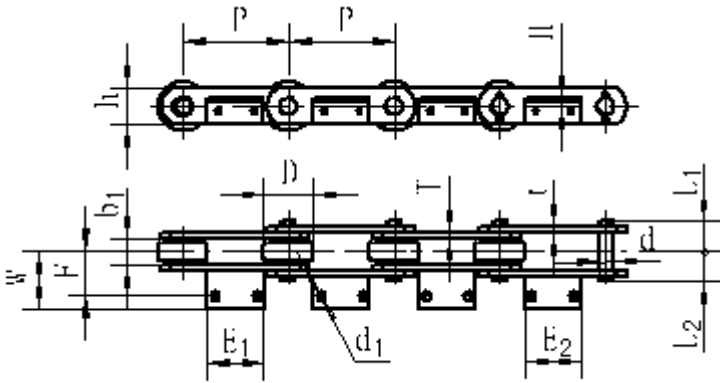


Chain No.	F mm	E ₁ mm	E ₂ mm	W mm	H mm	d ₁ mm	d ₂ mm
CK-140X	69	50	76	83	25	M16	11.1
CK-155X	55	65	99	70	30	M12	M12
CK-155XD	55	65	99	70	30	M12	M12
CK-155XE	55	65	84	69	30.5	M12	M12
CK-165XA	69	50	75	83	25	12	M12
CK-165XB	69	50	75	83	25	M16	12
CK-165XE	69	50	75	83	25	M16	10.6

Chain No.	P mm	b ₁ (min) mm	D(max) mm						Q(min) kN	q kg/m
				d mm	L ₁ mm	L ₂ mm	h mm	t/T mm		
CK-140X	140	40	80	20	41	45	50	8	210	20.2
CK-155X	155	38	97	20	39.6	44.8	50	8	196	22.8
CK-155XD	155	34	80	20	37.3	42.5	50	8	196	18.7
CK-155XE	155	38	97	25	42.5	47.5	60	8	346	24.8
CK-165XA	165	39.8	80	20	41	46	50	8	190	17.6
CK-165XB	165	39.8	80	20	41	46	50	8	190	17.7
CK-165XE	165	39.8	80	20	41	46	50	8	190	17.7

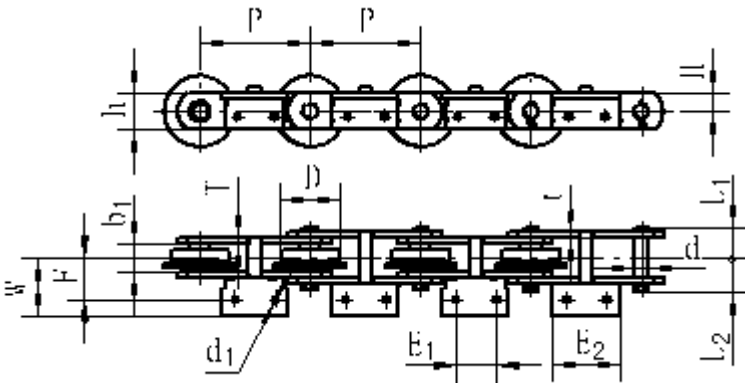
Q_{min} KN = Ultimate tensile strength

Beer Canned Line Roller Conveyor Chains·Bottle Washer Chains



F	E ₁	E ₂	W	H	d ₁
mm	mm	mm	mm	mm	mm
62	65	90	77	17	12.1

Chain No.	P mm	b ₁ (min) mm	D(max) mm						Q(min) kN	q kg/m
				d mm	L ₁ mm	L ₂ mm	h mm	t/T mm		
CK-150X	150	40	90	20	41.15	45.15	50	8	196	24.2

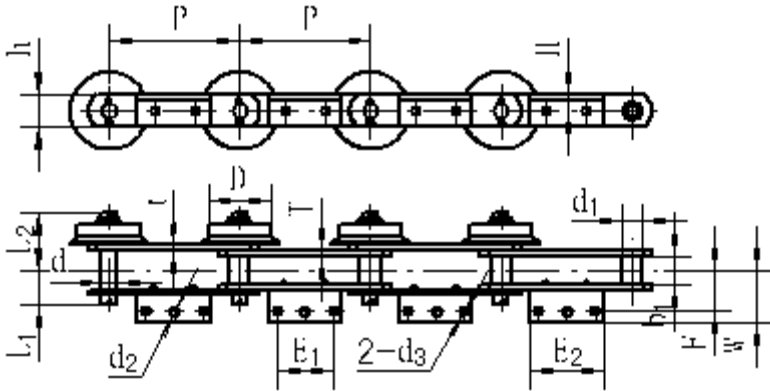


F	E ₁	E ₂	W	H	d ₁
mm	mm	mm	mm	mm	mm
55	60	90	73	25	12.2

Chain No.	P mm	b ₁ (min) mm	D(max) mm						Q(min) kN	q kg/m
				d mm	L ₁ mm	L ₂ mm	h mm	t/T mm		
CK-150XB	150	31.8	80	20	37.05	41.05	50	8	200	18.6

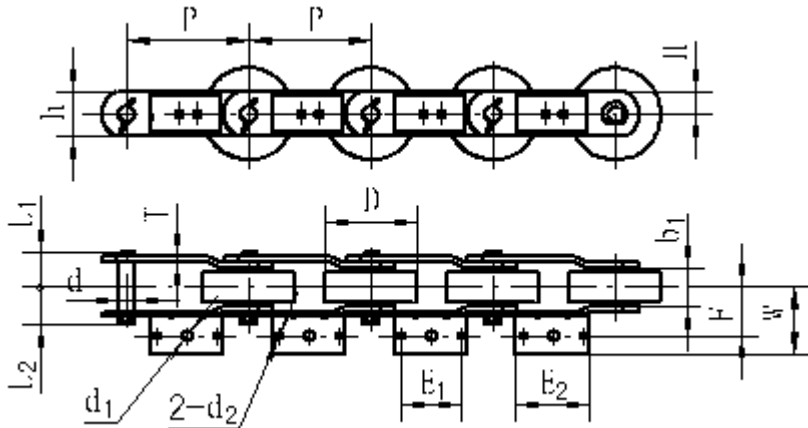
Q_{min} KN = Ultimate tensile strength

Beer Canned Line Roller Conveyor Chains·Bottle Washer Chains



F mm	E ₁ mm	E ₂ mm	W mm	H mm	d ₁ mm	d ₂ mm	d ₃ mm
50.5	70	90	64	20	26	12	10

Chain No.	P mm	b ₁ (min) mm	D(max) mm						Q(min) kN	q kg/m
				d mm	L ₁ mm	L ₂ mm	h mm	t/T mm		
				74	40	6	70	14		

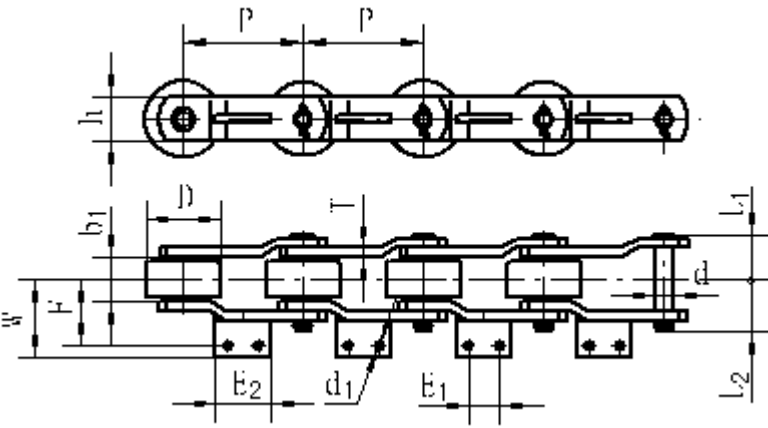


Chain No.	F mm	E ₁ mm	E ₂ mm	W mm	H mm	d ₁ mm	d ₂ mm
CK-165X	45	66	105	55	20	10.2	12.1
CK-165XC	45	65	105	55	20	10.2	12.1

Chain No.	P mm	b ₁ (min) mm	D(max) mm						Q(min) kN	q kg/m
				d mm	L ₁ mm	L ₂ mm	h mm	T mm		
CK-165X	165	25	74.5	16	29	33.5	40	6	112	11
CK-165XC	165	25	74.5	16	29	33.5	40	6	112	11

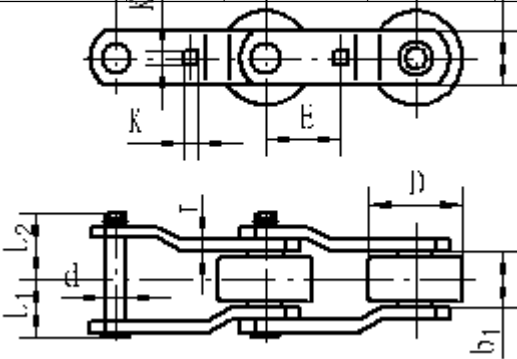
Q_{min} KN = Ultimate tensile strength

Beer Canned Line Roller Conveyor Chains·Bottle Washer Chains



Chain No.	F mm	E ₁ mm	E ₂ mm	W mm	d ₁ mm
CW-127A	49.1	50	74	60.1	M10
CW-127B	48.6	40	60	60.6	M10

Chain No.	P mm	b ₁ (min) mm	D(max) mm						Q(min) kN	q kg/m
				d mm	L ₁ mm	L ₂ mm	h mm	T mm		
CW-127A	127	24	63.5	14.32	32.2	38.8	37.5	9	150	12.6
CW-127B	127	24	63.5	14.32	32.2	38.8	37.5	9	150	12.4

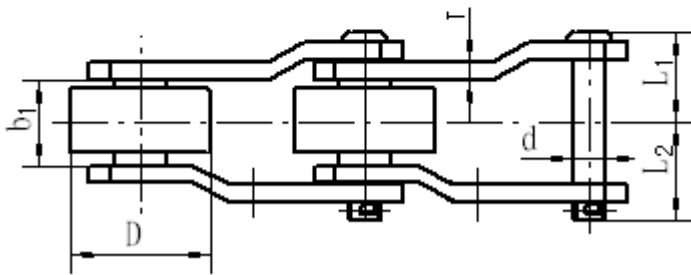
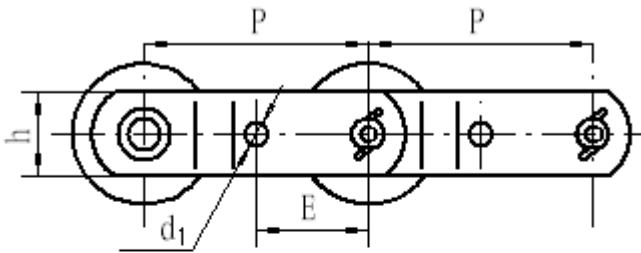


E mm	K mm
54	11.1

Chain No.	P mm	b ₁ (min) mm	D(max) mm						Q(min) kN	q kg/m
				d mm	L ₁ mm	L ₂ mm	h mm	T mm		
CW-107.95	107.95	31.4	63.5	15.65	35.1	37.9	44	6.4	137.8	13.32

Q_{min} KN = Ultimate tensile strength

Beer Canned Line Roller Conveyor Chains·Bottle Washer Chains

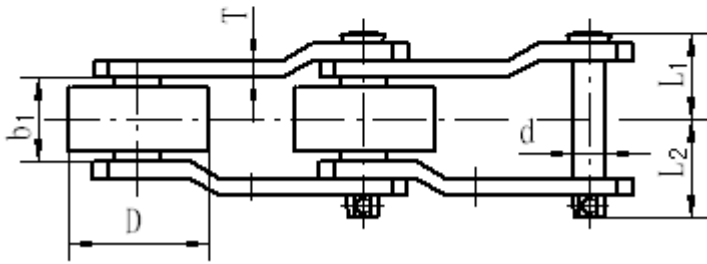
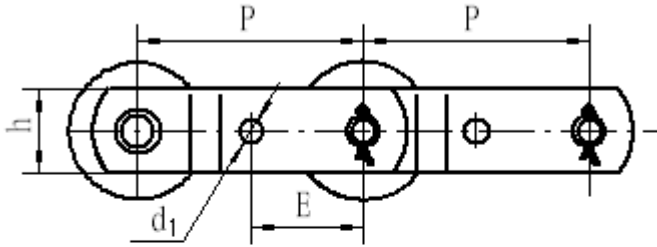


Chain No.	E mm	d1 mm
CW-101.6	50.8	11
CW-101.6B	50.8	11

Chain No.	P mm	b 1(min) mm	D(max) mm						Q(min) kN	q kg/m
				d mm	L1 mm	L2 mm	h mm	T mm		
CW-101.6	101.6	24	63.5	14.32	34	37	37.5	8	112	12
CW-101.6B	101.6	24	63.5	14.32	35.1	39.5	38.1	8	206	12.9

Q_{\min} KN = Ultimate tensile strength

Beer Canned Line Roller Conveyor Chains·Bottle Washer Chains

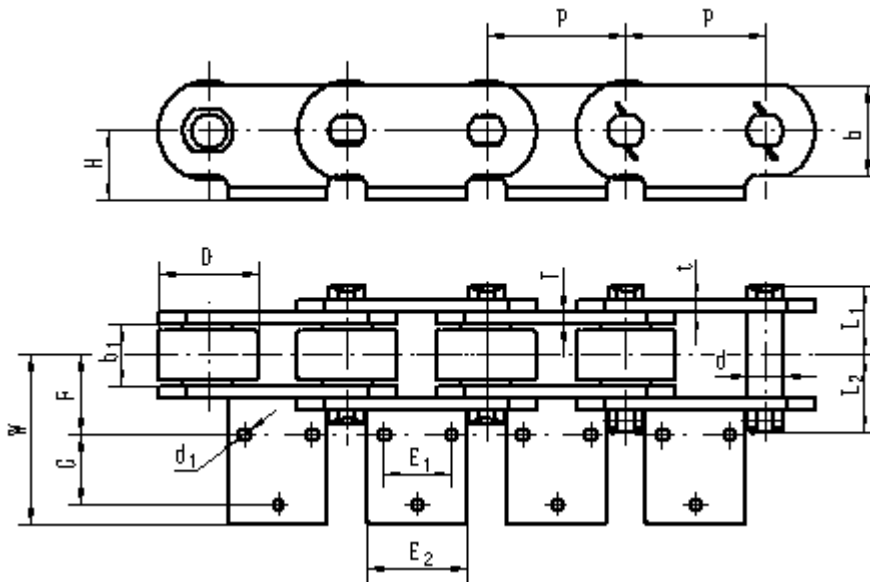


Chain No.	E mm	d_1 mm
CW-102	51	11
CW-102A	51	11
CW-102B	51	11
CW-101.6C	50.8	11
CW-127	63.5	11
CW-127C	61.4	10.4
CW-152	76	11
CW-155	77.5	10.3
CW-160	80	11
CW-190	95	11

Chain No.	P mm	b_1 (min) mm	D(max) mm				h mm	T mm	Q(min) kN	q kg/m
				d mm	L_1 mm	L_2 mm				
CW-102	102	24	63.5	14.32	32.2	38.8	37.5	9	112	13.3
CW-102A	102	22.6	63.5	14.32	29.2	35.3	38.1	8	200	12.1
CW-102B	102	24	63.5	14.32	32.2	38.8	38.1	9	220	13.4
CW-101.6C	101.6	24	63.5	14.32	30.1	38.8	38.1	8	206	12.8
CW-127	127	24	63.5	14.32	32.2	38.8	37.5	9	150	11.5
CW-127C	127	24	63.5	14.32	29.1	36.9	37.5	8	112	
CW-152	152	31.8	76	15.88	36.6	44.4	38.1	9.5	313.6	14.7
CW-155	155	32	76.2	14.32	34	40	38.1	8	200	12.8
CW-160	160	31.8	76	15.88	36.6	44.4	38.1	9.5	240	14.3
CW-190	190	31.8	76	15.88	36	45	38.1	9.5	240	12.9

Q_{min} KN = Ultimate tensile strength

Beer Canned Line Roller Conveyor Chains · Sterilizing Machine Chains

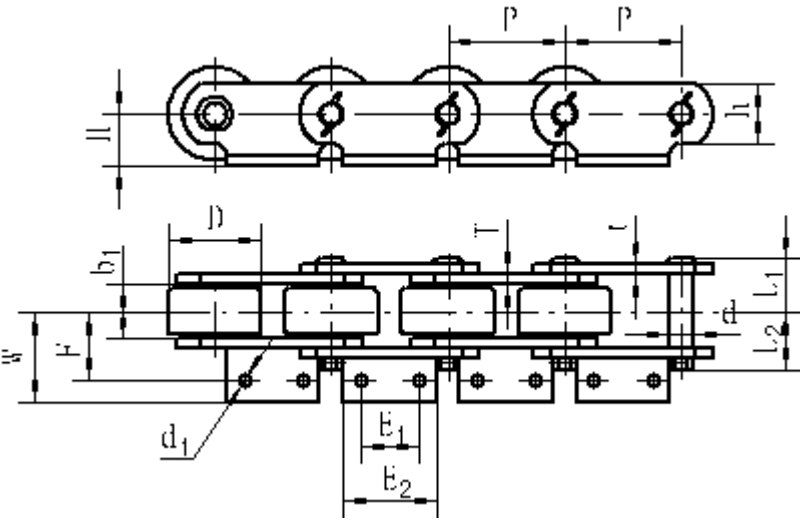


Chain No.	E ₁ mm	E ₂ mm	F mm	G mm	W mm	d ₁ mm	H mm
CK-70S	35	50	40.1	35	86.1	6.6	35
CK-100SA	50	78	49.5	20	84.5	M10	42
CK-100SC	50	76	54.5	20	85.8	6.7	44

Chain No.	P mm	b ₁ (min) mm	D(max) mm						Q(min) kN	q kg/m
				d mm	L ₁ mm	L ₂ mm	h mm	t/T mm		
CK-70S	70	31	50	18	32.5	37	45	6	80	15.9
CK-100SA	100	37	70	20	36.5	40.8	54	6	220	17.4
CK-100SC	100	34	80	20	38.5	43.3	52	8	220	27

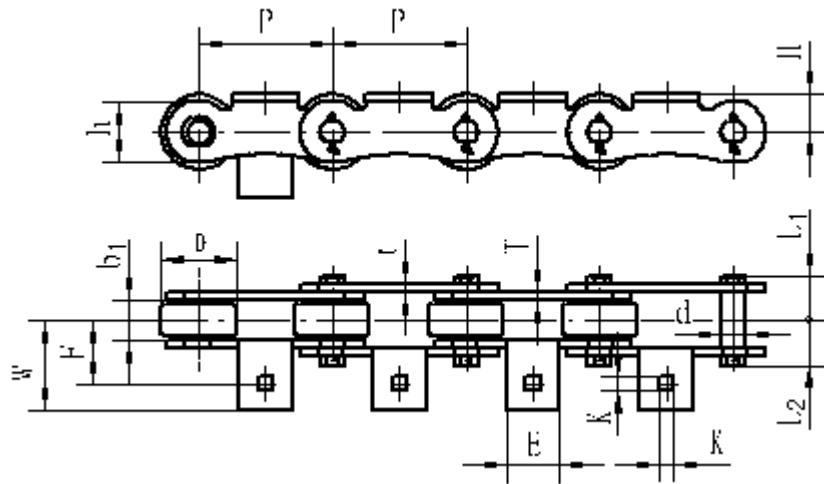
Q_{min} KN = Ultimate tensile strength

Beer Canned Line Roller Conveyor Chains · Sterilizing Machine Chains



Chain No.	E ₁ mm	E ₂ mm	F mm	W mm	d ₁ mm	H mm
CK-100S	50	80	53.6	72	10.1	44
CK-100SB	50	76	53.6	72	12.1	44

Chain No.	P mm	b _i (min) mm	D(max) mm						Q(min) kN	q kg/m
				d mm	L ₁ mm	L ₂ mm	h mm	t/T mm		
CK-100S	100	35.5	80	20	40	45	52	8	220	26
CK-100SB	100	35.5	80	20	40	45	52	8	220	25.1

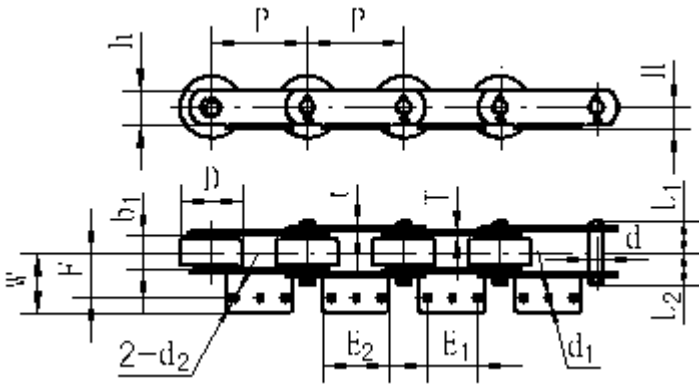


E mm	F mm	W mm	K mm	H mm
50	46.5	66.5	11	28

Chain No.	P mm	b _i (min) mm	D(max) mm						Q(min) kN	q kg/m
				d mm	L ₁ mm	L ₂ mm	h mm	t/T mm		
CK-100SD	100	27	56	18	30.2	34.8	44	6	80	11.8

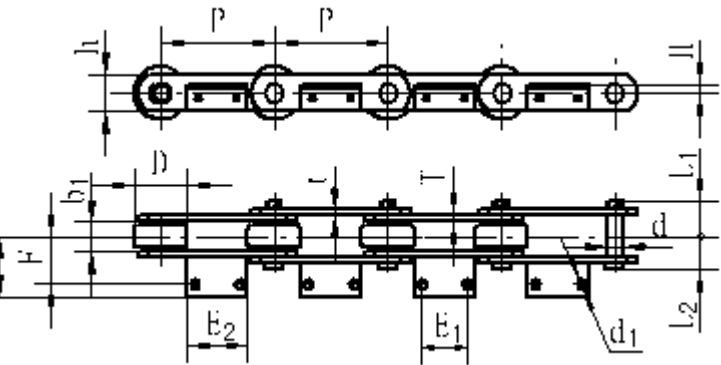
Q_{min} KN = Ultimate tensile strength

Beer Canned Line Roller Conveyor Chains · Sterilizing Machine Chains



Chain No.	E ₁ mm	E ₂ mm	F mm	W mm	d ₁ mm	d ₂ mm	H mm
CK-140S	75	96	52	74	10	12.1	33
CK-140SA	75	96	52	74	10	12.1	33

Chain No.	P mm	b ₁ (min) mm	D(max) mm						Q(min) kN	q kg/m
				d mm	L ₁ mm	L ₂ mm	h mm	t/T mm		
CK-140S	140	22	90	20	34.5	34.5	50	6	80	16.4
CK-140SA	140	22	90	20	28.25	36.25	50	6	80	16.3

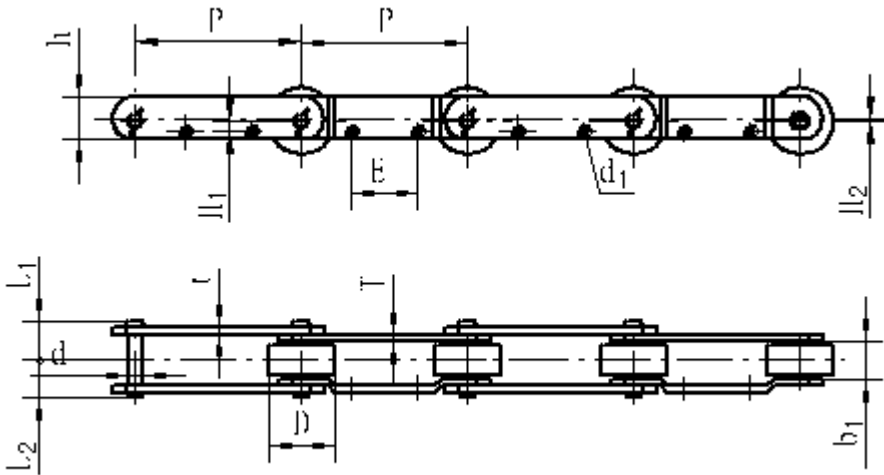


E ₁ mm	E ₂ mm	F mm	W mm	d ₁ mm	H mm
60	80	62.5	80.6	12.2	11

Chain No.	P mm	b ₁ (min) mm	D(max) mm						Q(min) kN	q kg/m
				d mm	L ₁ mm	L ₂ mm	h mm	t/T mm		
CK-150S	150	37	70	20	39.3	43	50	8	210	16.7

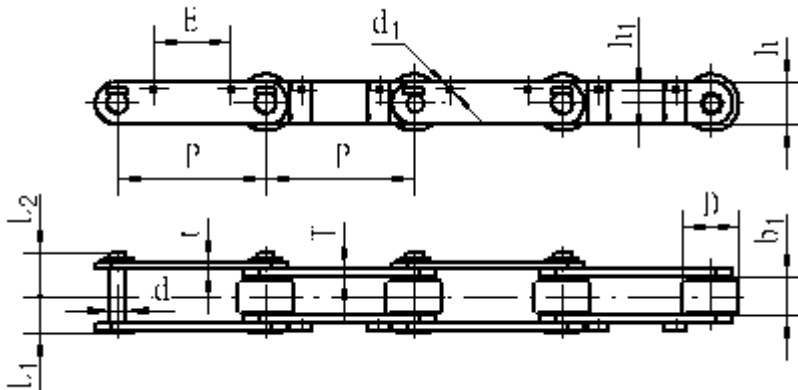
Q_{min} KN = Ultimate tensile strength

Beer Canned Line Roller Conveyor Chains · Sterilizing Machine Chains



E mm	d1 mm	H1 mm	H2 mm
80	M10	12	3

Chain No.	P mm	b 1(min) mm	D(max) mm	Pin			Plate		Q(min) kN	q kg/m
				d mm	L1 mm	L2 mm	h mm	t/T mm		
CK-200S	200	26	80	16	33.5	37.5	50	8	160	12.5



E mm	d1 mm	h1 mm
110	M12*1.25	20

Chain No.	P mm	b 1(min) mm	D(max) mm						Q(min) kN	q kg/m
				d mm	L1 mm	L2 mm	h mm	t/T mm		
CK-210S	210	35	79	25	41.7	43.7	60	10	343	18.9

Q_{min} KN = Ultimate tensile strength